

Heavy Duty Paging Microphones



The F86 range of gooseneck mounted omni-directional, noise-reducing, microphones provide maximum versatility combined with ease of installation.

Heavy Duty Paging Microphones

Microphones for mobile and fixed use are included in the range, together with various end-fittings, alternative gooseneck length and accessories. Used in taxis and public service vehicle installations, they are also widely used for marine and heavy industrial applications.

Computer aided head design/capsule matching is used to obtain the required frequency response and maximum signal-to-noise characteristics.

A new one-piece head assembly, combined with the locking of the gooseneck to the head and end-fittings, deters tampering and vandalism.

The rugged dynamic microphone capsule provides optimum clarity over the speech frequencies and is fully protected for use in high humidity environments.

A line pre-amplifier is incorporated in the optional MFPA base-mounting. A press-to-talk switch can be fitted between the head and the gooseneck, or at the gooseneck base.



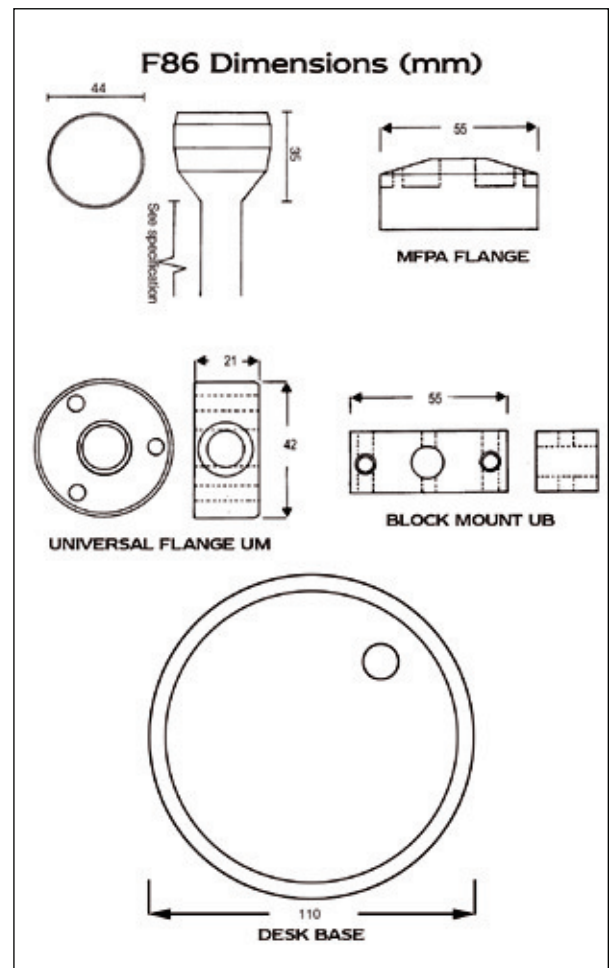
UM Mount



UB Mount



Desk Base



TECHNICAL SPECIFICATION

Gooseneck Mounted F86 Range

Frequency response

300 to 3500KHz

Impedance

600 or 2400 ohms

Output Level

-54dB @ 1KHz

Finish

Anodised deep black

Goosenecks

150mm, 300mm or 450mm Black PVC covered

End-fittings

Four types are available, see Order Codes

Cable

Twin screened 1 metre long
(other lengths to order)

Order Codes

F86 – Moving coil microphone, forward facing and mounted on a heavy-duty plastics covered gooseneck.

Suffix Order Codes, coil impedance

/6 – 600R coil

/24 – 2400R coil

/E – also available with electret capsule

Suffix Order Codes, gooseneck length

/15 – 150mm (6")

/30 – 300mm (12")

/45 – 450mm (18")

/PTT/ – Simple PRESS TO TALK SWITCH shorting mic capsule and open pair for signalling

Mounted at top of gooseneck (/T) or at base (/B)

Example

F86 with 2400R coil & 12" gooseneck = **F86/24/30**

Mounting options for F86

These mounting options are subject to extra cost and require the order code suffix to be added to the selected F86 order code.

F86/Order code

/UM – Circular universal mounting base; for right angled or parallel-with-surface mounting; 3 hole fixing to mounting surface

/UB – Block mounting base; providing two hole fixing to mounting surface and right angled or parallel-to-surface microphone assembly

/MFPA – Circular flange base; 3 hole fixing to mounting surface and incorporating microphone preamplifier-to-line level output

/DB – Round heavy duty, cast desk base with offset gooseneck mounting. Black powder coat finish and anti-slip base

Example

F86 with 600R coil, 150mm (6") gooseneck & desk base = **F86/6/15/DB**

PO Box 66, Uckfield, East Sussex TN22 3ZR, UK

Telephone: +44 (0)1825 766363

UK Freephone: 0800 917 8488 Fax: +44 (0)1825 766361

Email: sales@communication-technology.co.uk

Web: www.communication-technology.co.uk

